

TONONE

technical specifications

MR. TUBES LED pendant horizontal driver on fixture

Design by Anton de Groof, 2019

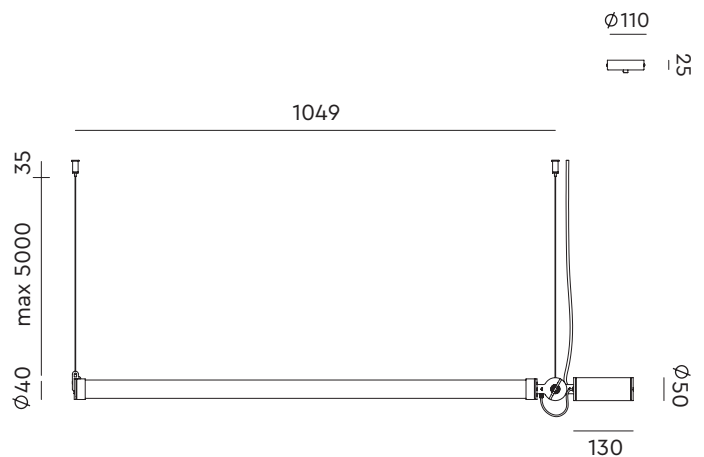


Mr. Tubes is a sturdy lamp design that combines pure functionality with graphical aesthetics. The black- or white coated steel construction holds the led tubes and gives the lamp an industrial look; a straightforward design suitable for various locations. The lamp is dimmable and the adjustable steel cables make it possible to hang the lamp at any height. Mr. Tubes is available as a pendant single, double, floor, wall and chandelier. Or build your own with the Mr. Tubes Led Connect.

Type	Pendant lamp
Environment	Indoor
Material	Aluminum & steel
Cord length	Max. 5000 mm
Weight	1,3 kg
Voltage	220-240 V
Watt	11 Watt
IP	20
Lightsource	Integrated LED source
Kelvin / Lumen	2700 K 1235 lumen 4000 K 1235 lumen
CRI	>90
Dimmable	Phase cut dimmable

Packaging


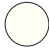
Length	80 cm
Width	33 cm
Height	13 cm



TONONE

technical specifications



	2700 K	4000 K
 smokey black with black cords	4005	4006
 pure white with orange cords	4007	4008